

Overview

Shikatronics' SSG-1G/ZX10 is a kit of two pieces of 64M x 72-bit (512MB) PC133 CL3 (CAS Latency 3) Registered SDRAM (Synchronous DRAM) memory modules. The components on this kit include eighteen 64M x 4-bit SDRAM PC133 components in TSOP packages each module. This kit of 168-pin DIMM uses gold contact fingers and requires + 3.3V. The electrical and mechanical specifications are follows:

Features

- ⌚ CLK Cycle Time (tCK)
- ⌚ Row Cycle Time (tRC)
- ⌚ CLK to Output (tAC)
- ⌚ Single Power Supply of
- ⌚ Power
- ⌚ UL Rating

min. = 7.5ns (CAS Latency = 3) / max. = 1000ns
 65ns
 max. = 5.4ns (CAS Latency = 3)
 +3.3V (+/- .3V)
 8.895 W (operating)
 94 V - 0

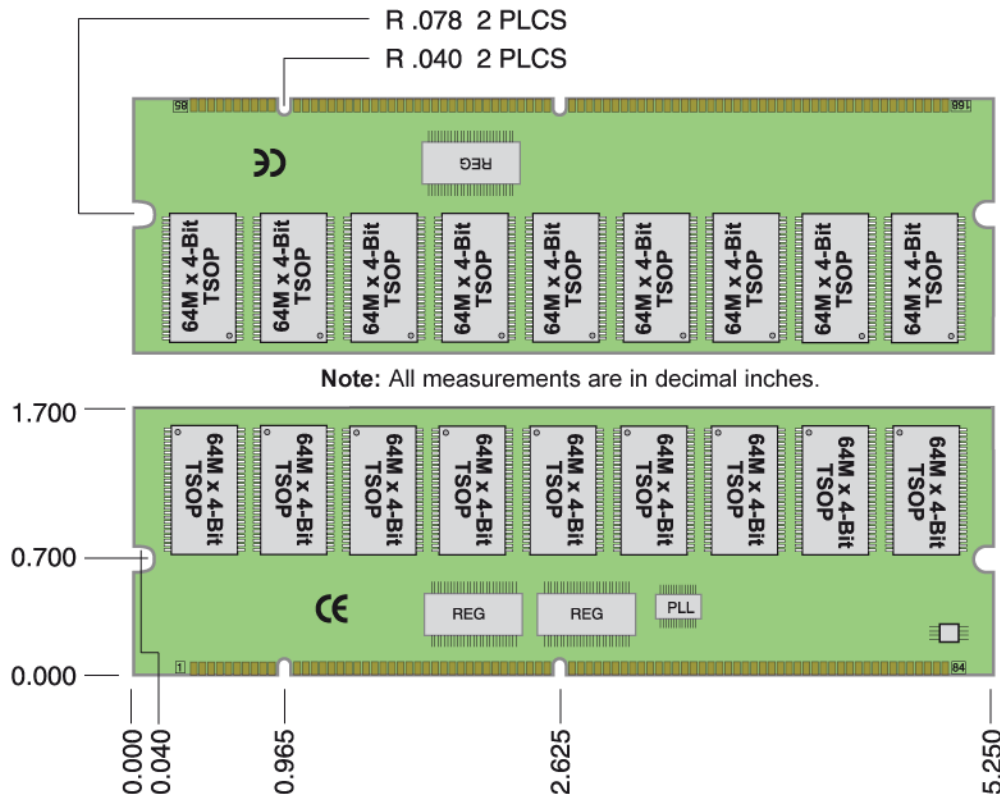


Figure 1: SSG-1G/ZX10 168-Pin SDRAM